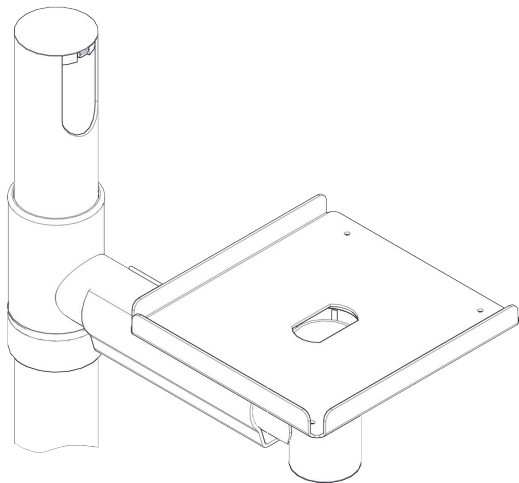
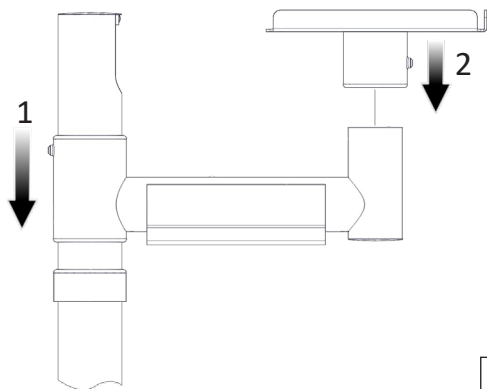


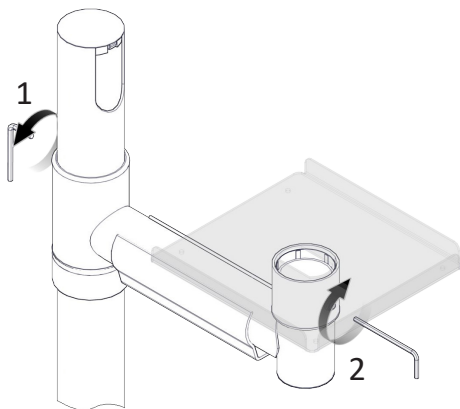
# Essentials Installation Guide

## SPV31\*\* SpacePole® Printers





**1**



**2**